

MEGA SWIVEL 5K - STAINLESS STEEL
MEGA SWIVEL 5K- ACIER INOXYDABLE
MEGA SWIVEL 5K- ROSTFREIER STAHL
MEGA SWIVEL 5K- ACERO INOXIDABLE

Description:

The swivel anchor incorporates a swivel ring design that allows a D-ring to rotate 360 degrees as well as flip back and forth at 180 degrees.

Technical specification:

Comes with an installer and user manual.

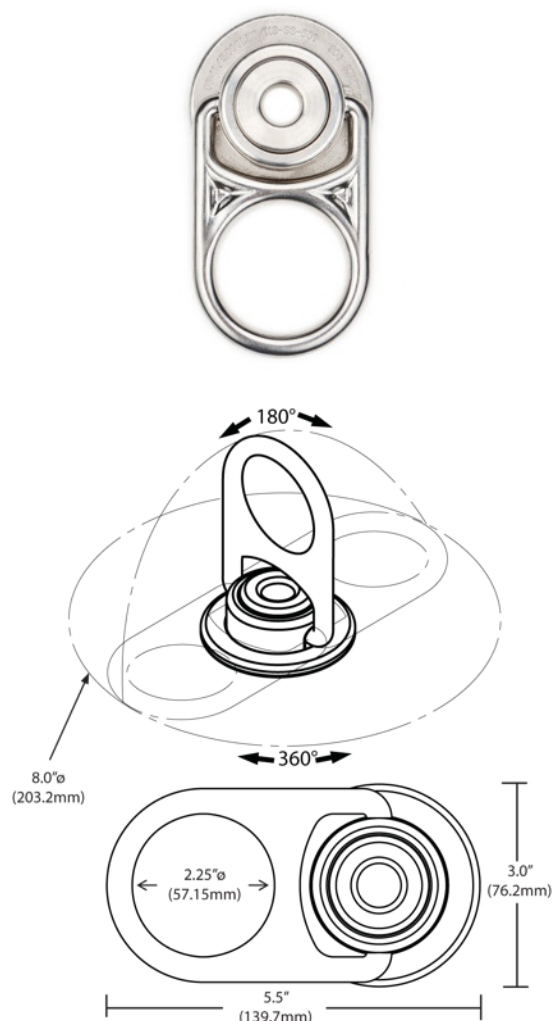
Material: Stainless steel

KN 2,000 lbs/ 8,8 KN

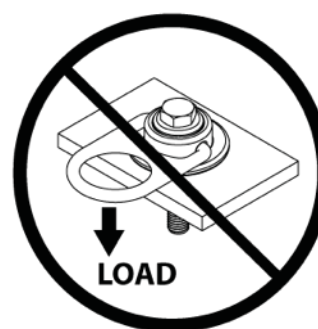
KN > 10,000 lbs / 44 KN

Ø 16 mm (steel) / 19 mm (concrete)

 0,54 Kg



Compliant with EN 795 CLASS B
CE 0321
ANSI Z359.1



Code N°	Kit Contents	Application surface	Availability
SWS100S	SWY100N + SWY1SBA	Steel	Available from stock
SWS100C	SWY100N + SWY1CSA	Concrete	Available from stock



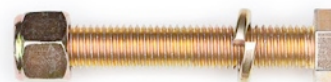
The anchorage connector is designed for up to two users at one time, per system, with a capacity up to 310 Lb (181 Kg) per user. All products subjected to fall arresting forces should be removed from service immediately. The anchorage connector must not be pulled in the direction showed above.

Accessories

Concrete Sleeve Anchor SWY1CSA:
Hex head, carbon steel zinc plated anchors with modified sleeve.



Steel Bolt SWY1SBA:
Grade 8 Hex Bolts- Zinc Plated & Stainless

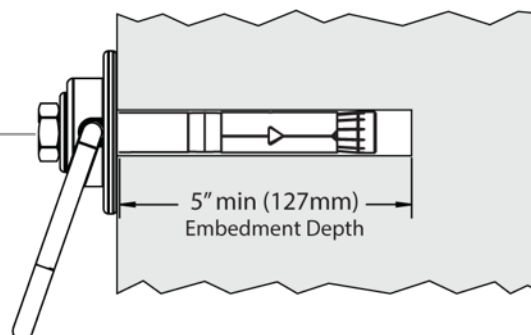


Black Plate Kit SWX100N:
Reinforced cinder block walls, thick concrete walls, industrial air conditioners and chillers, metal structures, and many other applications. Bolts available from 4" to 14".



Concrete Mounting

Torque Range:
3-5 full turns
beyond hand tight



Back Plate Mounting

