

ANCHOR RING TWINFIX 2013
L'ANNEAU D'ANCRAGE TWINFIX 2013
TWINFIX ANKERPUNKT 2013
PUNTO BI-ANCLAJE TWINFIX 2013

Description:

□ anchor ring winix 2013 is ermanentl installe on a buil ing or other structure to maintain people who are at ris of falling when carr ing out maintenance wor .

Fixing with 2 x M12 bolts in concrete.

Fixing with 1 x M12 bolt in structural steel beam.

Anchor point for two users.

Opening max. for connector = 58 x 48 mm



Technical specification:

comes with an installer and user manual.

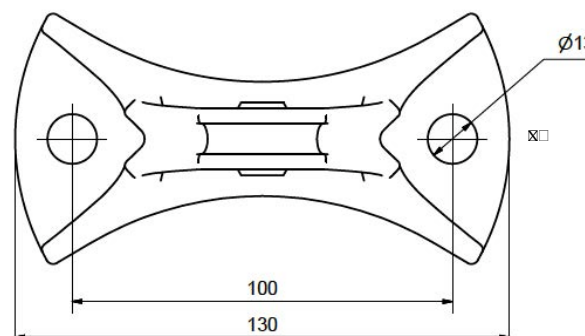
Material: Stainless steel molded AISI316

KN 

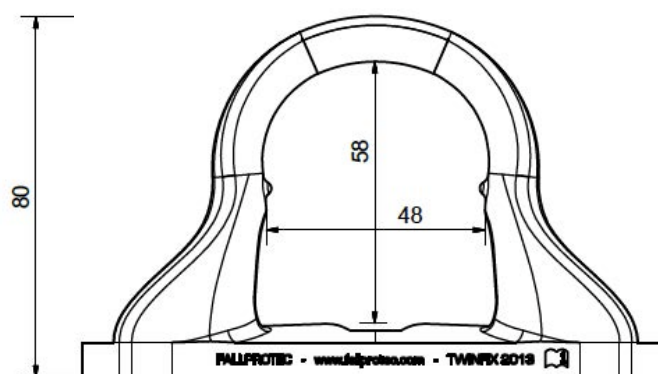
KN 

Ø 13 mm

 0,520



Compliant with EN 795 CLASS A1
MADE IN EU 



PTA 016	130 80 x R65 mm	Available om oc
---------	-----------------	-----------------



o the anchor point has a w angle within 2 m.

allprotec S.A. 43-45, ZA Op Zaemer. L-4959 Bascage. Luxembourg. ☎: +352 26 55 09 30, F: +352 26 55 09 30 55, marketing@fallprotec.com